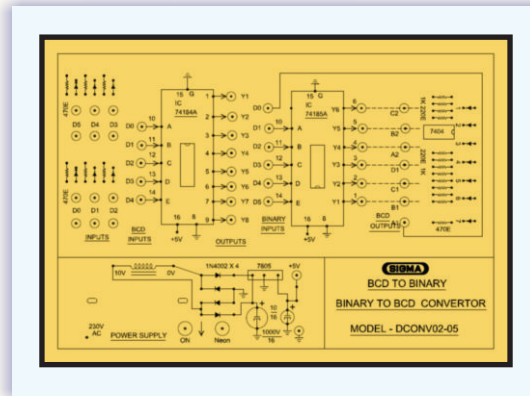




BCD TO BINARY AND BINARY TO BCD CODE CONVERTER MODEL - DCONV02-05

This trainer has been designed with a view to provide practical and experimental knowledge of different types of Code Converters.



SPECIFICATIONS

1. Power supply requirement : 230V AC, 50 Hz.
2. Built in IC based regulated Power supply : +5 V DC/200 mA.
3. Types of Code Converters
BCD to Binary using IC 74184A
Binary to BCD using IC 74185A
4. High /Low switches : 4 Nos provided to apply 0 and 1 level
5. Logic output Indicators : 4 LEDs provided for output level indication.
6. Standard Accessories :
 1. User Manual with practical and circuit diagrams.
 2. Connecting patch cords - 5 nos.

In keeping view of SIGMA policy of continuous development and improvement, the Specifications may be changed without prior notice or obligation.

Sigma Trainers
E-103, Jai Ambe Nagar,
Near Udgam School, Thaltej,
AHMEDABAD - 380054.

Phone : 079-26852427 / 26767512
Fax : 079-26840290 / 26759661
ISDN : 079-26859162 / 26853758
Email : sales@sigmatrainers.com
: sigmatrainers@sify.com
Web : www.sigmatrainers.com

Dealer:-